



**MASL**  
WORLD

**CASESTUDY**

**MASL's** Revolutionary  
Impact on **Jharkhand's**  
**Legal System** with  
**Advanced Video**  
**Conferencing Technology**





## **THE CLIENT**

JAP-IT, dedicated to accelerating Information Technology growth in Jharkhand, collaborated with MASL for a transformative project. Focused on implementing state policies and facilitating IT integration, JAP-IT sought to revolutionize legal proceedings through a modernized video conferencing system.





## THE CHALLENGE

### **Obsolete Practices:**

JAP-IT grappled with the age-old and inefficient practice of physically transporting undertrials from jails to courtrooms. This traditional method not only consumed significant time and resources but also posed inherent security risks during transit.

### **Security Concerns:**

Ensuring the safety of hardcore criminals during the transportation process was a critical challenge. The existing practices lacked the necessary safeguards to mitigate potential security threats, exposing vulnerabilities in the overall legal system.





## **Operational Delays:**

The manual nature of trial procedures contributed to operational delays. These delays not only hindered the swift disposition of cases but also added to the administrative burden, impeding the overall efficiency of the legal processes.

## **Logistical Complexities:**

Coordinating the logistics of transporting undertrials to various courtrooms across the state proved to be a complex and resource-intensive task. The sheer volume of cases and the geographical spread of legal proceedings added to the logistical challenges.

## **Resource Intensiveness:**

The traditional model required substantial manpower for the physical movement of undertrials, resulting in a strain on human resources and associated costs.

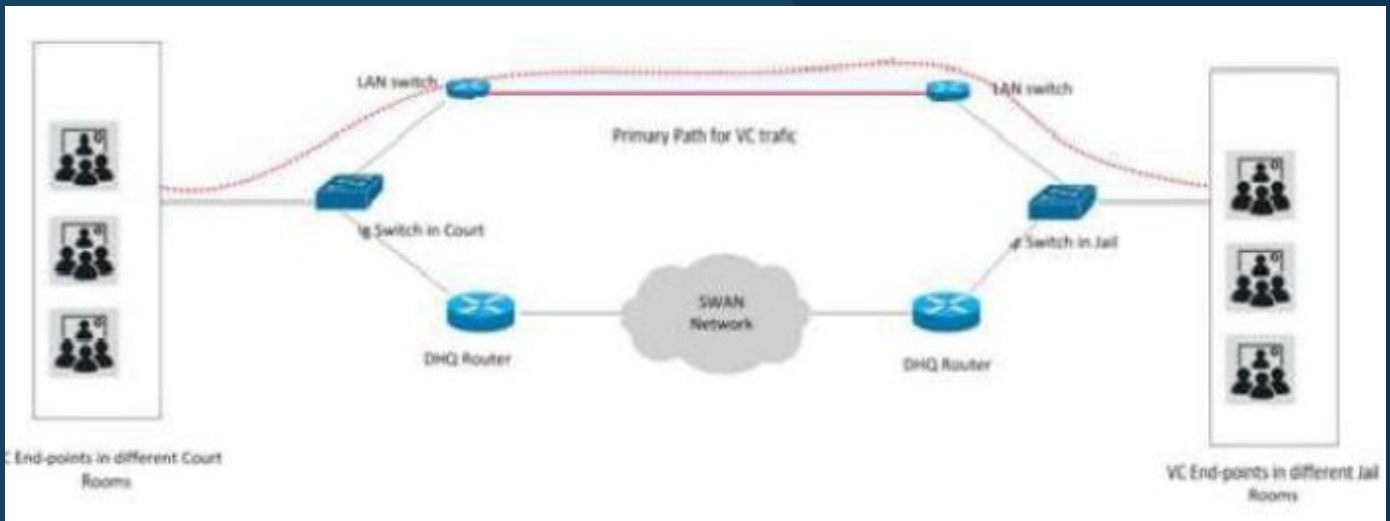




## THE SEARCH

In recognizing the need for a forward-looking solution, JAP-IT initiated a search for a partner capable of addressing these multifaceted challenges. The ideal solution sought to streamline legal proceedings, enhance security, and introduce efficiency through technology integration. After a rigorous evaluation process, MASL emerged as the preferred choice, known for its expertise in implementing transformative IT solutions across diverse sectors.





## SCOPE OF WORK

### Physical Layout Design:

- Develop detailed layouts and designs tailored to the specific requirements of each courtroom and jail facility.
- Ensure optimal placement of components and equipment for seamless integration.

### Supply, Installation, and Comprehensive Onsite Warranty:

- Provide and install Video Conferencing Systems, UPS, LAN infrastructure, and Optical Fiber Cables (OFC).
- Offer a comprehensive onsite warranty and support for a duration of five years.





### **Integration with SWAN/NICNET/NKN:**

- Seamlessly integrate the Fiber network with the State Wide Area Network (SWAN), National Informatics Centre Network (NICNET), and National Knowledge Network (NKN).

### **Delivery and Setup Across 29 Districts:**

- Successfully deliver, install, and set up all designated items in courtrooms and jail premises across the 29 districts of Jharkhand.

### **Optical Fiber Cable (OFC) Deployment:**

- Supply, deliver, and install overhead (aerial) and underground Optical Fiber Cables, covering approximately 200 kilometers, connecting courts and jails.

### **Operation & Maintenance (O&M)/ Facility Management Services (FMS):**

- Provide onsite operation, maintenance, and support services for five years.
- Manage Video Conferencing (VC) operations, including helpdesk services.
- Deploy 124 operational and support personnel for day-to-day management.

### **Project Deliverables:**

- Carry out the supply, installation, commissioning, operation, and maintenance of the Courts-Jails Video Conferencing System.
- Lay underground and aerial Optical Fiber between courts and jails.
- Total deployment includes 295 Video Conferencing rooms (213 in courts, 82 in jails) and approximately 200 kilometers of Optical Fiber Cable.





## **Manpower Deployment:**

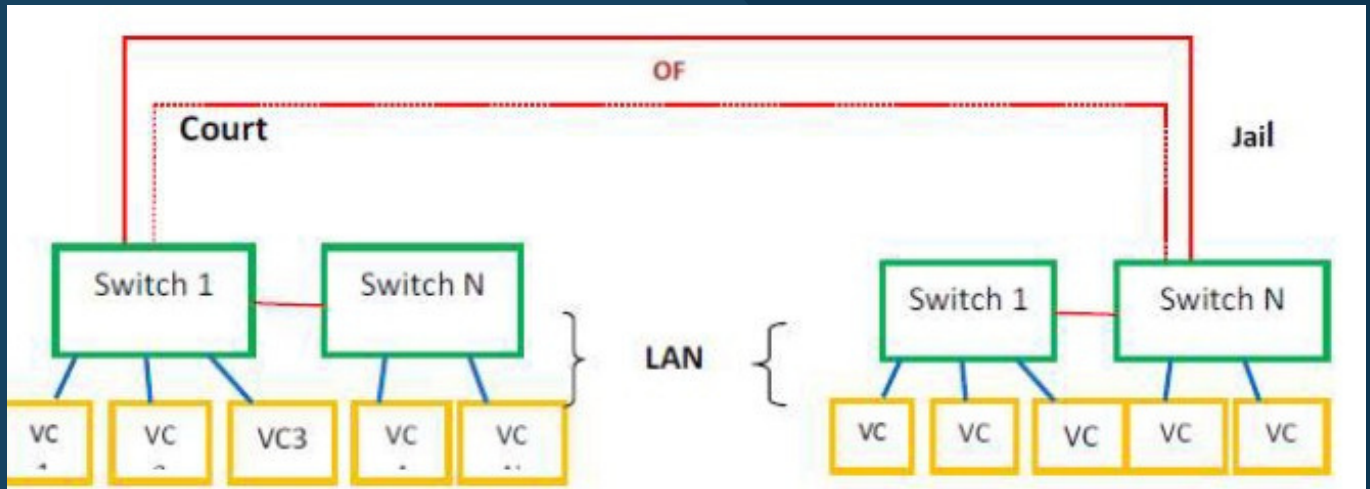
- Assign dedicated resources, including one resource for every three VC rooms in courts, one resource for every five VC rooms in jails, and technical support personnel at commissionaires and state levels.

## **Project Monitoring Unit (PMU):**

- Establish a PMU at the state level, comprising a Project Manager, Network Engineer, and Helpdesk Personnel, for comprehensive project monitoring and support.







## THE SOLUTION

### Video Conferencing System:

- Implement state-of-the-art Video Conferencing Systems in 295 designated rooms, including 213 courtrooms and 82 jail facilities. Ensure high-definition video quality, enabling
- immersive and lifelike interactions between participants.

### Optical Fiber Network Integration:

- Integrate the Optical Fiber network with SWAN/NICNET/NKN, establishing a robust and secure communication infrastructure.
- Enable seamless connectivity for real-time video conferencing and data exchange.





## **Immersive Experience:**

- Provide an immersive experience with life-size images of participants displayed on screens, fostering eye-to-eye contact during virtual meetings.
- Ensure clear audio with advanced echo cancellation for effective communication.

## **Virtual Table for Collaborative Meetings:**

- Facilitate collaborative virtual meetings with a virtual table accommodating a minimum of 18 participants in each location for point-to-point meetings and up to 450 participants in multipoint sessions.

## **Security Measures:**

- Enhance security measures by replacing the traditional practice of physically transporting under-trials to courts.
- Mitigate risks associated with the production of hardcore criminals, ensuring a safer and more efficient legal process.

## **Integrated Communication and Scheduling:**

- Integrate common enterprise calendaring programs for easy and automated call start and controls.
- Provide flexible design options to customize boardroom technology with furniture, décor, and services.

## **Continuous Monitoring and Support:**

- Establish a Project Monitoring Unit (PMU) at the state level, comprising a Project Manager, Network Engineer, and Helpdesk Personnel, ensuring continuous monitoring and timely support.





**MASL**  
WORLD

### **Operational and Maintenance Support:**

- Deploy a dedicated team of 124 operational and support personnel to ensure the smooth operation and maintenance of the entire setup for a period of five years.

MASL's comprehensive solutions aim to bring about a paradigm shift in the legal landscape of Jharkhand, leveraging cutting-edge technology to make legal proceedings more accessible, secure, and efficient.



## THE OUTCOME



MASL's collaboration with JAP-IT has yielded impactful outcomes, revolutionizing the legal landscape in Jharkhand. The deployment of cutting-edge technology and innovative solutions has resulted in significant improvements across various facets of the legal system.

### **Time and Cost Efficiency:**

- Achieved substantial savings in time and costs associated with the transportation of under-trials to courts.
- Streamlined legal proceedings, leading to faster trials and efficient case disposal.

### **Enhanced Security Measures:**

- Mitigated security risks by eliminating the need to physically transport hardcore criminals to courtrooms.
- Improved overall security across the legal system, ensuring a safer environment.





## **Seamless Virtual Collaboration:**

- Facilitated seamless virtual collaboration among legal stakeholders, including judges, lawyers, and prisoners.
- Provided an immersive experience with life-size images, fostering effective communication.

## **Improved Accessibility:**

- Enhanced accessibility to legal proceedings by introducing virtual courtrooms in 29 districts.
- Enabled remote participation, reducing the need for physical presence in courtrooms.

## **Optimized Resource Utilization:**

- Optimized resource utilization with the deployment of dedicated personnel for operational and maintenance support. Ensured the longevity and efficiency of the entire
- setup over a five-year period.

## **Increased Efficiency in Legal Operations:**

- Streamlined communication and scheduling with integrated enterprise calendaring programs.
- Provided a user-friendly and efficient platform for conducting virtual meetings and collaborative sessions.





## **Technological Advancements:**

- Introduced state-of-the-art technology, including high-definition video conferencing systems and advanced audio solutions.
- Leveraged Optical Fiber networks to create a robust and secure communication infrastructure.

## **Empowering Legal Stakeholders:**

- Empowered legal stakeholders with the tools and technology needed for effective virtual collaboration.
- Improved overall efficiency and effectiveness in legal operations.

MAL's transformative outcomes underscore the successful integration of technology into legal proceedings, setting the stage for a more efficient, accessible, and secure legal environment in Jharkhand.





**This case study is a testament to MASL's commitment to cutting-edge technology, offering comprehensive solutions, and showcasing proven expertise. Our top-notch solutions and reliable support underscore our dedication to delivering successful outcomes for our clients.**





**MASL**  
WORLD

***“Transform your business with our proven solutions and elevate to new heights”.***

**GET IN TOUCH !**



**+91 93112 40651**



**[www.maslworld.com](http://www.maslworld.com)**



**[info@maslworld.com](mailto:info@maslworld.com)**



**E 48/9, Okhla Phase-II  
New Delhi 110020**

